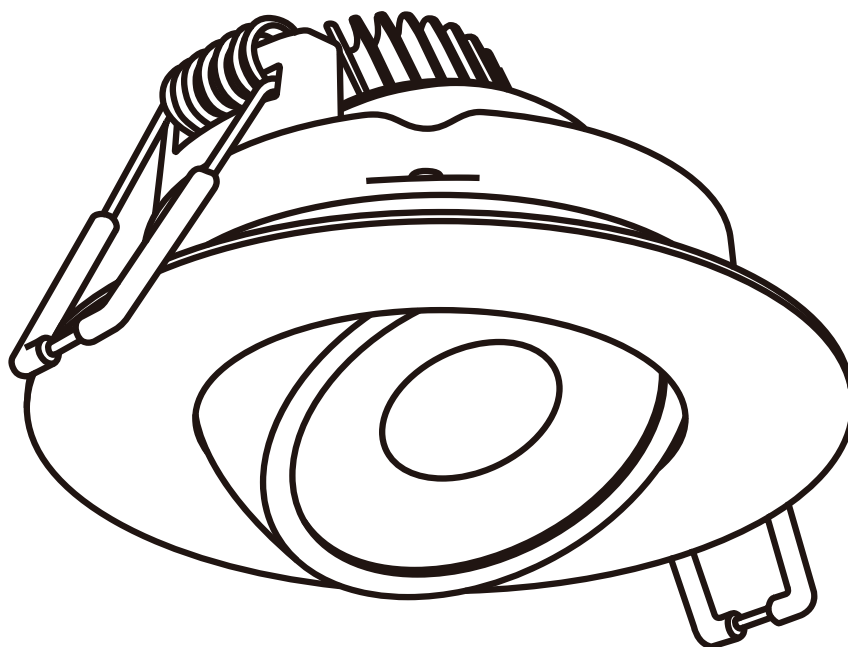


USER GUIDE



Questions, problems with your product?
Call Nuwatt Lighting Customer Support
8 AM - 5PM PST | Monday - Friday
1-862-801-2006

NUWATTLIGHTING.COM

SAFETY INFORMATION

IMPORTANT SAFETY INSTRUCTIONS. SAVE THESE INSTRUCTIONS.

Most electrical accidents are caused by carelessness. Review these basic electrical guidelines before you begin this installation.

- Use tools with insulated handles and ladders made of wood or fiberglass.
- Keep dry-chemical fire extinguishers in the kitchen, basement, and workshop.
- Never disable grounding devices. Ensure all appliances that require grounding are properly grounded, and that the electrical system itself is properly grounded.
- Meet all electrical code requirements that cover the work you are doing.
- Work with enough light to see what you are doing.
- Certified Airtight per ASTM E283-04.
- When in doubt about safety of any electrical repair or test, call in a professional electrician.
- This fixture is IC rated for direct contact with insulation.
- This fixture is intended for indoor or wet location use.
- Do not modify this fixture. If any modifications are made, it may make the product unsafe and void the warranty.



WARNING: Before touching any wire, use a voltage tester to ensure wires are not live.



WARNING: When you check for voltage in a receptacle, check both outlets each may be controlled by separate wiring circuit.



WARNING: Before working on a circuit, go to main service panel and remove the fuse or trip the breaker that controls that circuit. Tape a warning sign to the panel warning others to leave the circuit OFF while you work.



WARNING: CONSULT A QUALIFIED ELECTRICIAN TO ENSURE CORRECT BRANCH CIRCUIT CONDUCTOR.



WARNING: Changes or modifications to this unit not approved by the party responsible for compliance could void the user's authority to operate the equipment. This device complies with part 15 of FCC rules. Operation is subject to the following two conditions: (1) this device may not cause harmful interference, and (2) this device must accept any interference received, including interference that may cause improper operation.

NOTE: This equipment has been tested and found to comply with the limits for a Class B digital device, pursuant to Part 15 of the FCC Rules. These limits are designed to provide protection against harmful interference in a residential installation. This equipment generates, uses and can radiate radio frequency energy, and if not installed and used in accordance with the instructions, may cause harmful interference to radio communications. There is no guarantee that interference will not occur in a particular installation location. If this equipment does cause harmful interference to radio or television reception, which can be determined by turning the product off and on, the user is encouraged to try to correct the interference by one or more of the following measures:

- Relocate the receiving antenna.
- Increase separation between the equipment and receiver.
- Connect equipment into an outlet on a circuit different from which the receiver is connected.
- Consult an experienced radio/TV technician for help.

WARRANTY

5-YEAR LIMITED WARRANTY

The manufacturer warrants this lighting fixture against defects in materials and workmanship of five years from the date of purchase. If within this period the product is found to be defective or workmanship, the product must be returned, with a copy of the bill of sale as proof of purchase, to the original place of purchase. The manufacturer will, at its option, repair, replace, or refund the purchase price to the original purchaser or consumer. This warranty does not cover light bulbs or the fixture becoming damaged due to misuse, accidental damage, improper handling and/or installation, and specially excludes liability for direct, incidental, or consequential damages. As some states do not allow exclusions or limitations on an implied warranty. This warranty gives you specific rights and you may also have other rights that vary from state to state.

Contact the Customer Service Team at 1-862-801-2006 or visit www.NUWATTLIGHTING.com.

PRE-INSTALLATION

PLANNING INSTALLATION

Compare all parts with the Hardware Included and Package Contents sections. If any part appears missing or damaged, do not install this product and contact the Customer Service Team at 1-862-801-2006

TOOLS REQUIRED



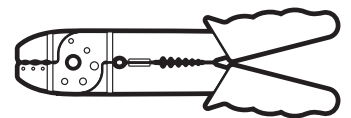
Ladder



Gloves



Safety Goggles



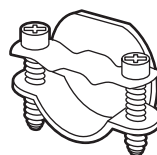
Wire Strippers



Pencil



Drywall Saw



Cable Clamp

INSTALLATION

1 Turn the Power OFF

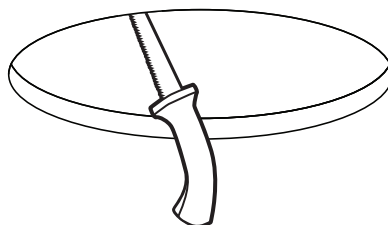
- Place the wall switch to the "OFF" position
- Turn "OFF" the main power at the breaker panel or remove fuse from the fuse box.

2 Prepare for the installation location

- Use the template (included) to mark the desired installation where you desire.



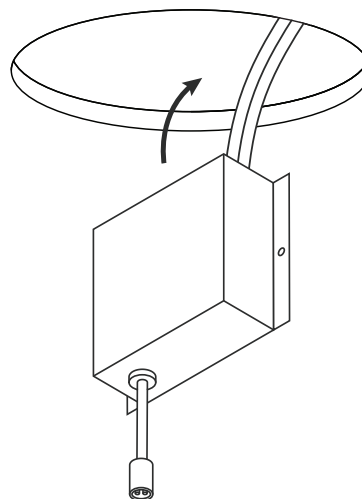
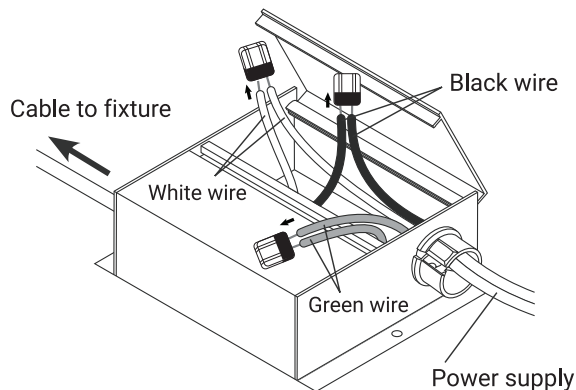
- Use a drywall saw to cut the opening outlined by the template



HOLE CUT SIZE	
2 inch gimbal	ø2 1/8" (54mm)
3 inch gimbal	ø2 3/4" (72mm)
4 inch gimbal	ø4 3/8" (111mm)
6 inch gimbal	ø6 1/4" (158mm)

3 Driver Wiring

- 1 Open the hardwire box swing cover and remove the appropriate knockout(s).
- 2 Insert the electrical supply cable through the knockout and secure with a cable connector (sold separately)
- 3 Using wire nuts, connect green ground wire of cable to green wire on box. Connect white wire of cable to white wire of box. Connect black wire of cable to black wire of box
- 4 Place all wiring and connections back into the box and close the cover.
- 5 Insert hardwire box through the mounting hole.
 New Construction Applications: Hardwire box shall be firmly secured to studs, joists, or similar fixed structural units.
 Remodel Applications: Do not require the hardwire box to be firmly secured after the mounting plates, studs, joists or structural units have been concealed.



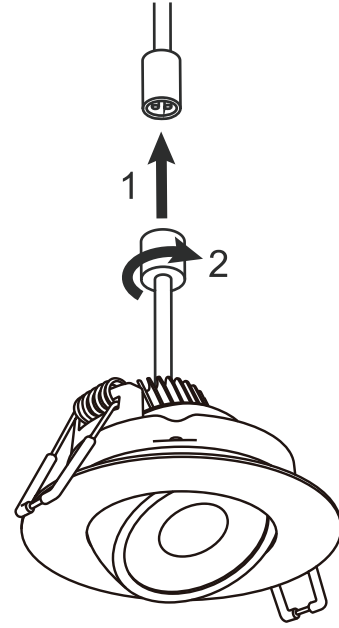
COMPATIBLE DIMMERS

BRAND	FAMILY	MODEL
LUTRON	SKYLARK CONTOUR	CTCL-153P
		DVCL-153PDH
	DIVA	DVCL-153P
LEVITON	DECORA	6672
		6674
PASS & SEYMOUR	HARMONY	HCL453PTCCCV6

INSTALLATION

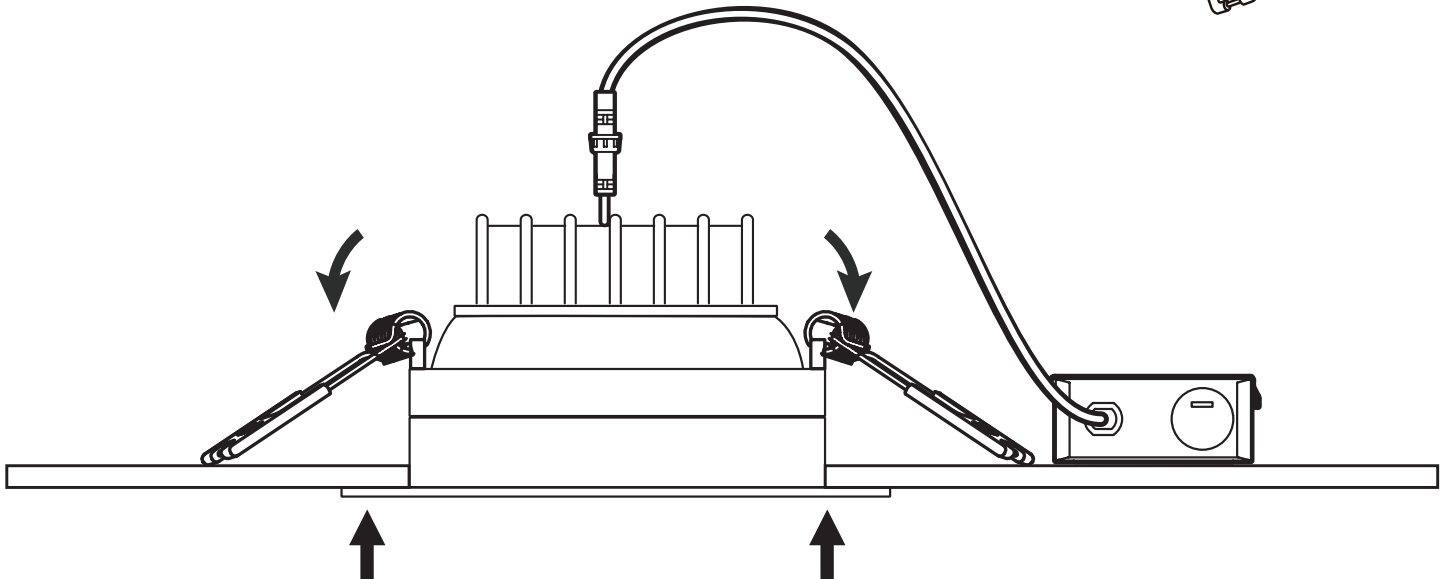
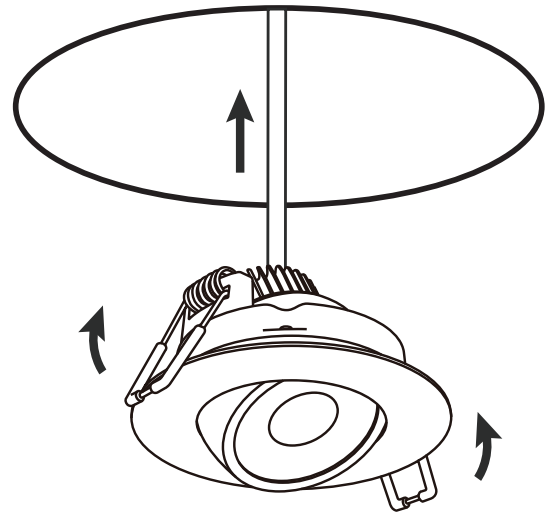
4 Fixture Installation

1. Connect the fixture to the male/female connectors on the hardwire box
2. Twist to lock



5 Fixture Placement

Push spring loaded clips on the fixture upwards and insert fixture base in to the mounting hole. Release the clips and fixture will be pulled flush to the ceiling.





Questions, problems with your product?
Call Nuwatt Lighting Customer Support
8 AM - 5PM PST | Monday - Friday
1-862-801-2006

NUWATTLIGHTING.COM
